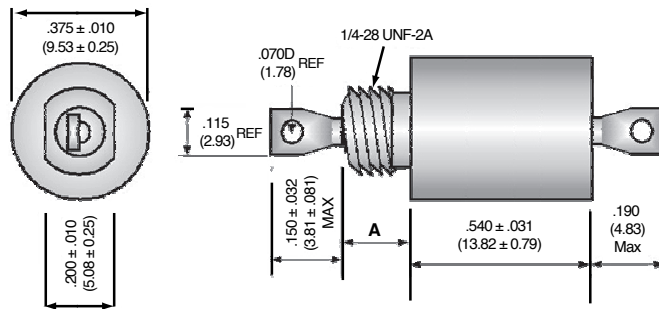


L-Section Filters

4000 / 4100 / 4200



Schematic *

* For a reverse configuration with the inductive element opposite the thread end, add an "R" suffix to the part number; i.e., 4200-010R

Part No		Min Cap µf	Working Voltage	Minimum Insertion Loss (dB)						Max DCR (ohms)	Rated DC Current
A = .187	A = .312			30 kHz	150 kHz	300 kHz	1 MHz	10 MHz	1 GHz		
Series 4100-XXX											
4100-010	4100-020	—	100 VDC	34	62	70	70	70	70	10	.10
4100-011	4100-021	—		25	53	65	70	70	70	4	.25
4100-012	4100-022	—		16	41	54	70	70	70	1	.50
4100-013	4100-023	—		16	31	42	63	70	70	.25	1.0
4100-014	4100-024	—		16	28	35	51	70	70	.063	2.0
4100-015	4100-025	—		16	28	34	45	70	70	.027	3.0
4100-016	4100-026	—		16	28	34	44	52	70	.003	10.0
Series 4200-XXX											
4200-010	4200-020	—	250 VDC	14	42	54	70	70	70	10	.10
4200-011	4200-021	—		6	32	44	65	70	70	4	.25
4200-012	4200-022	—		—	23	35	56	70	70	1	.50
4200-013	4200-023	—		—	10	21	41	70	70	.25	1.0
4200-014	4200-024	—		—	8	14	30	70	70	.063	2.0
4200-015	4200-025	—		—	8	14	26	64	70	.027	3.0
4200-016	4200-026	—		—	8	14	25	45	70	.003	10.0

Drawings may not be to scale; refer to dimensions.